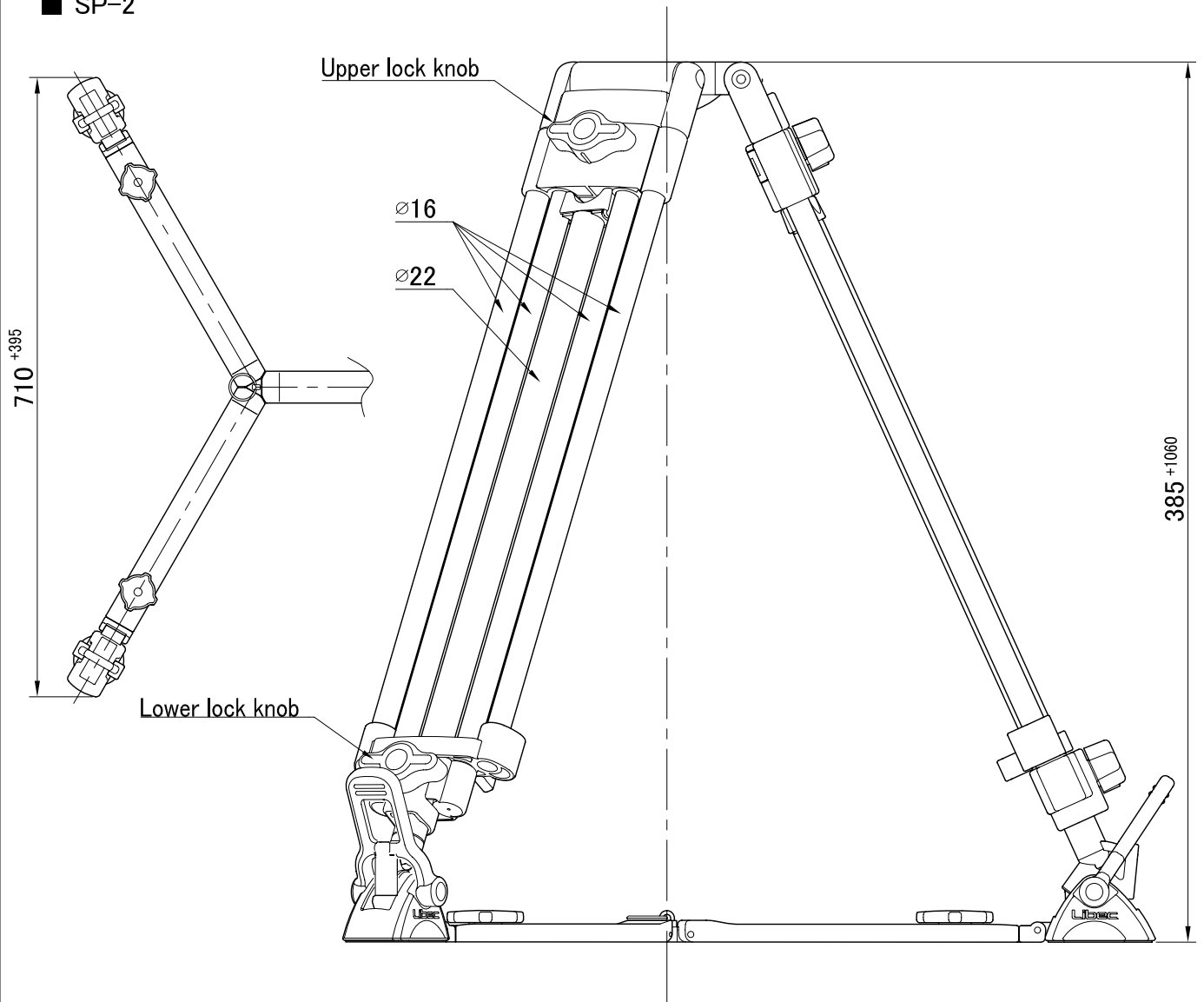


System	T98C (Tripod) + SP-2 (Floor spreader)		
Payload	35 kg / 77 lb	Ball diameter	φ 100 mm
Weight	3.2 kg / 7.0 lb	Section	2STAGE
Height	① H : 1445 mm W : 710 mm (※Reference)	Tripod fixation	Fixing lock knob
	② H : 385 mm W : 1105 mm (")	Spreader	SP-2 (Telescopic, Removable)
Folded length	③ L : 680 mm (")	Material	Carbon pipe, Aluminum alloy, Engineering plastic

Remarks

■ Exterior Dimensions (mm)

■ SP-2



※: Reference

