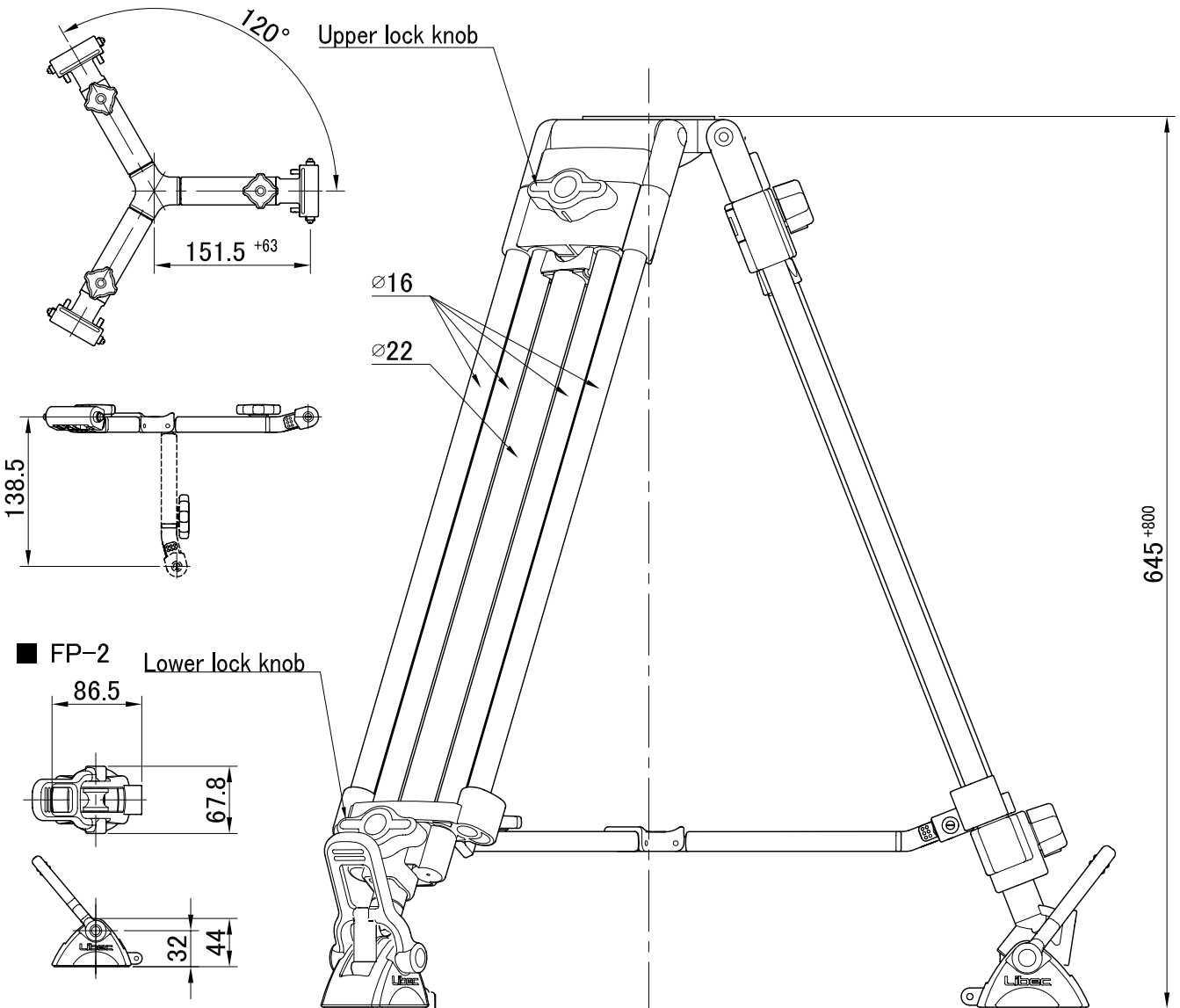


System	T98C (Tripod)+BR-4 (Mid-level spreader)+FP-2 (Large rubber feet)		
Payload	35 kg / 77 lb	Ball diameter	φ 100 mm
Weight	2.9 kg / 6.4 lb	Section	2STAGE
Height	① H : 1440 mm W : 780 mm (※Reference)	Tripod fixation	Fixing lock knob
	② H : 640 mm W : 550 mm (")	Spreader	BR-4 (Telescopic, Removable)
Folded length	③ L : 685 mm (")	Material	Carbon pipe, Aluminum alloy, Engineering plastic

Remarks

■ Exterior Dimensions (mm)

■ BR-4



※: Reference

