

System	T103 (Tripod)+BR-5S (Mid-level spreader)+FP-3 (Large rubber feet)		
Payload	90 kg / 198 lb	Ball diameter	φ 100 mm
Weight	7.6 kg / 16.7 lb	Section	2STAGE
Height	① H : 1705 mm W : 1100 mm (※Reference)	Tripod fixation	Fixing lock knob
	② H : 780 mm W : 680 mm (")	Spreader	BR-5S (Telescopic, Removable)
Folded length	③ L : 835mm (")	Material	Aluminum pipe, Aluminum alloy, Engineering plastic

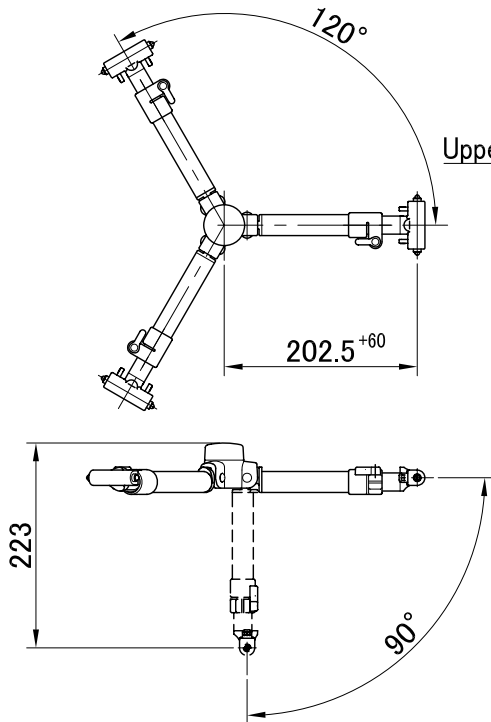
Remarks

Outside diameter of pipe

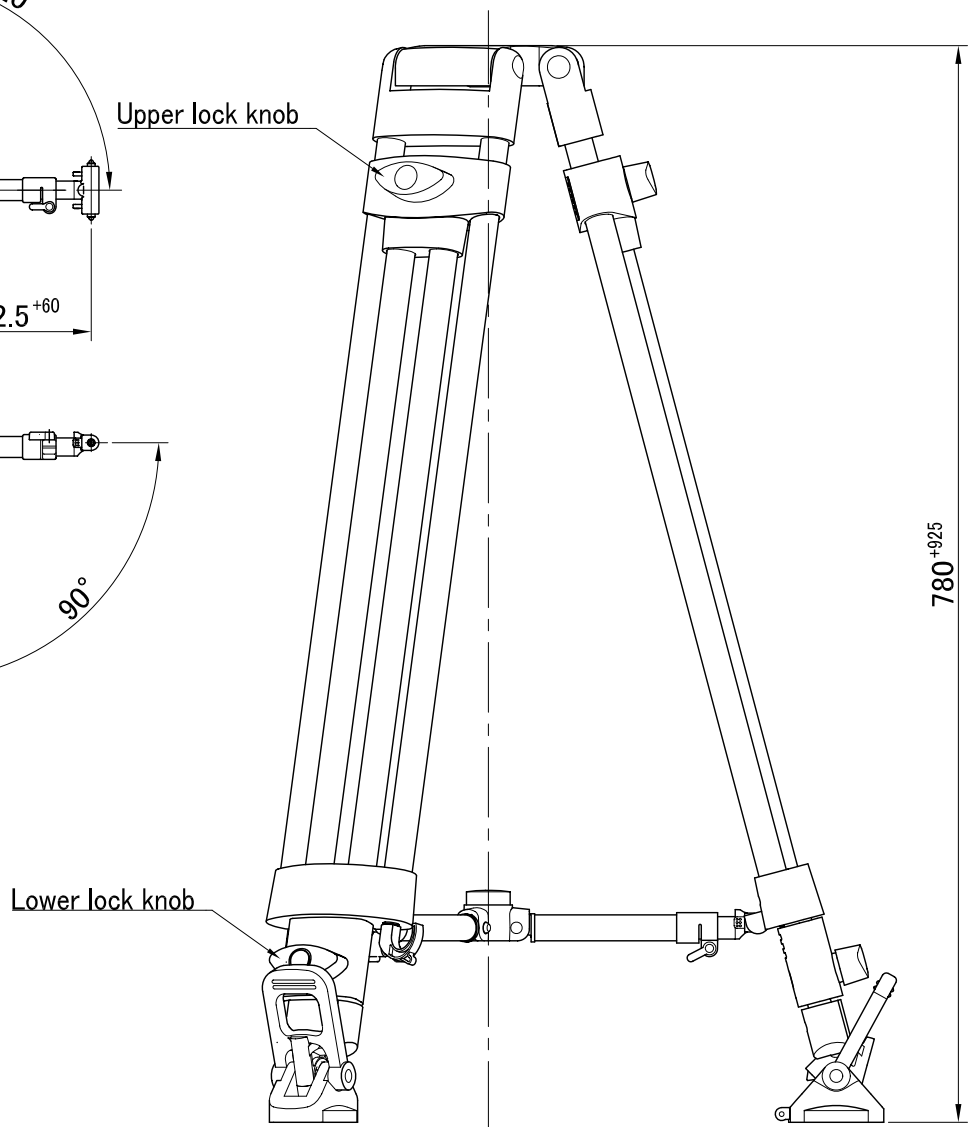
Upper : φ 24 / Middle : φ 24 / Lower : φ 20

■ Exterior Dimensions (mm)

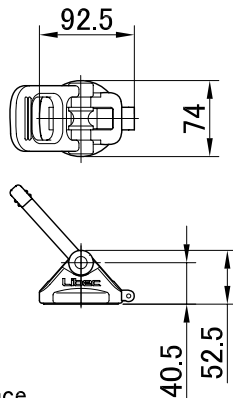
■ BR-5S



■ T103



■ FP-3



※: Reference

