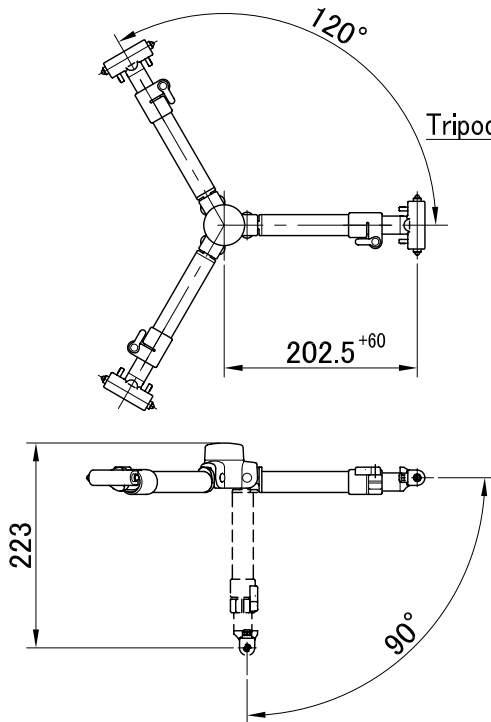


System	T102 (Tripod)+BR-5S (Mid-level spreader)+FP-3 (Large rubber feet)		
Payload	90 kg / 198 lb	Ball diameter	φ 100 mm
Weight	6.5 kg / 14.3 lb	Section	1STAGE
Height	① H : 1390 mm W : 730 mm (※Reference)	Tripod fixation	Fixing lock knob
	② H : 840 mm W : 670 mm (")	Spreader	BR-5S (Telescopic, Removable)
Folded length	③ L : 880mm (")	Material	Aluminum pipe, Aluminum alloy, Engineering plastic

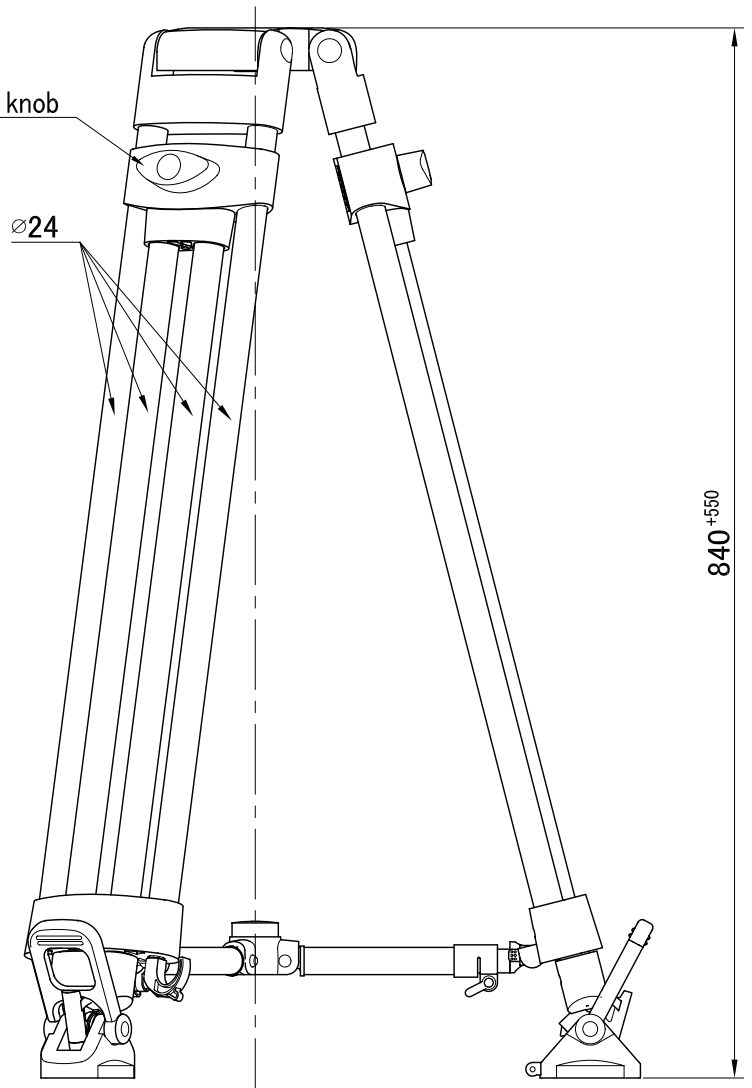
Remarks

■ Exterior Dimensions (mm)

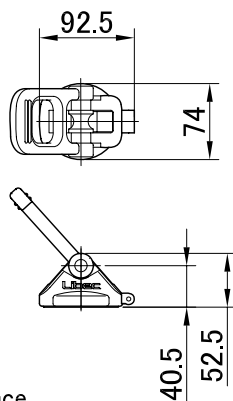
■ BR-5S



■ T102



■ FP-3



※: Reference

