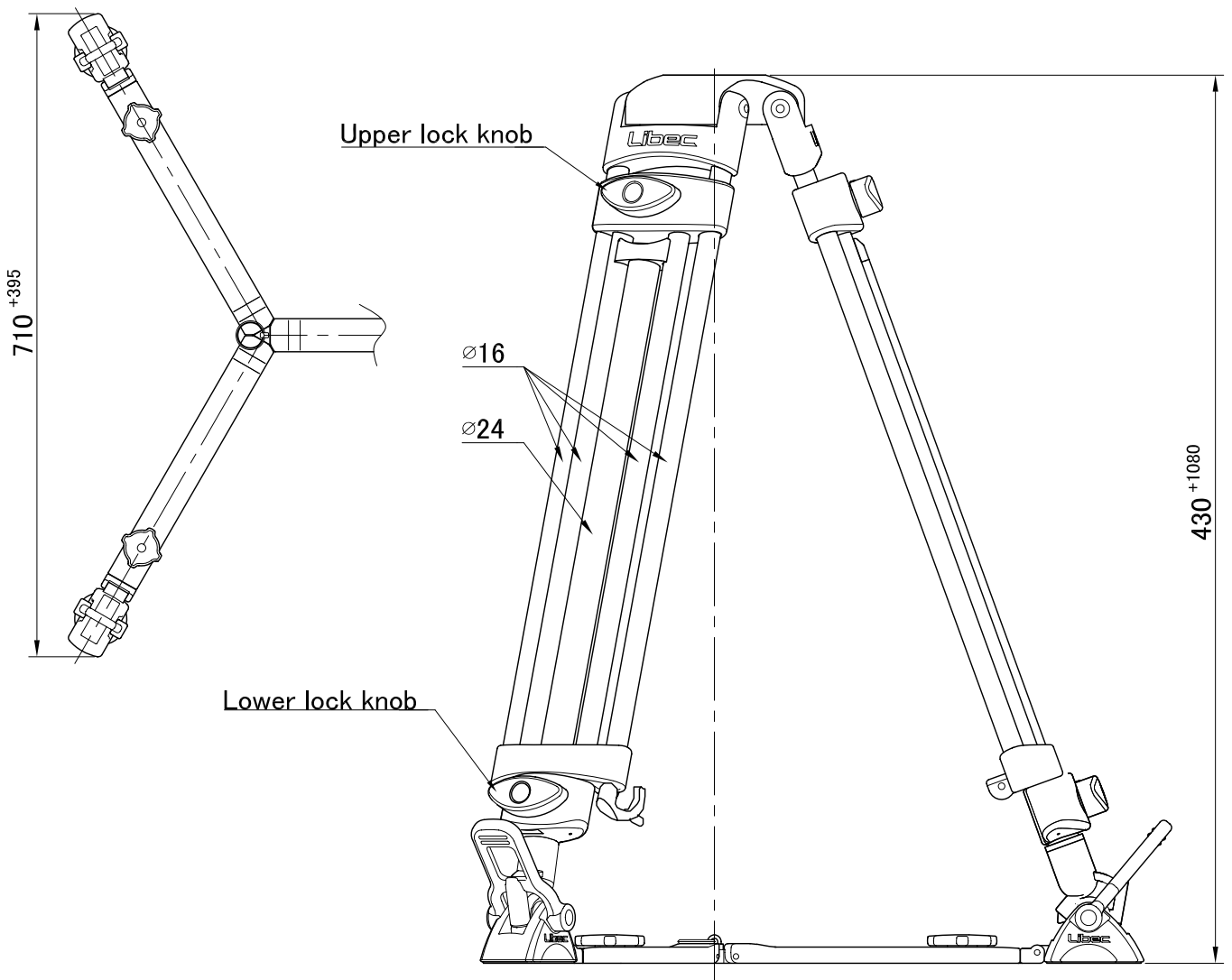


| | | | |
|---------------|---|-----------------|-------------------------------------|
| System | RT40B (Tripod) + SP-2B (Floor spreader) | | |
| Payload | 35 kg / 77 lb | Ball diameter | φ 75 mm |
| Weight | 4.0 kg / 8.8 lb | Section | 2STAGE |
| Height | ① H: 1510 mm W: 710 mm (※Reference) | Tripod fixation | Fixing lock knob |
| | ② H: 430 mm W: 1105 mm (") | Spreader | SP-2B |
| Folded length | ③ L: 715 mm (") | Material | Aluminum alloy, Engineering plastic |

Remarks

■ Exterior Dimensions (mm)

■ SP-2B



※Reference

