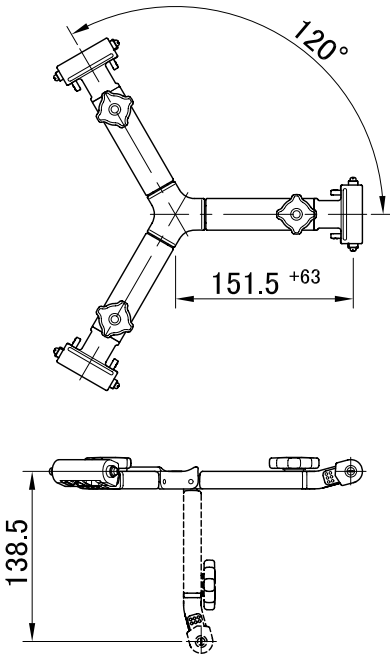


System	RT40B (Tripod) + BR-4B (Mid - level spreader) + FP-2B (Large rubber feet)		
Payload	35 kg / 77 lb	Ball diameter	φ 75 mm
Weight	3.7 kg / 8.1 lb	Section	2STAGE
Height	① H : 1505 mm W : 775 mm (※Reference)	Tripod fixation	Fixing lock knob
	② H : 675 mm W : 570 mm (")	Spreader	BR-4B
Folded length	③ L : 715 mm (")	Material	Aluminum alloy, Engineering plastic

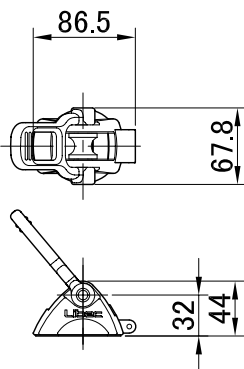
Remarks

■ Exterior Dimensions (mm)

■ BR-4B

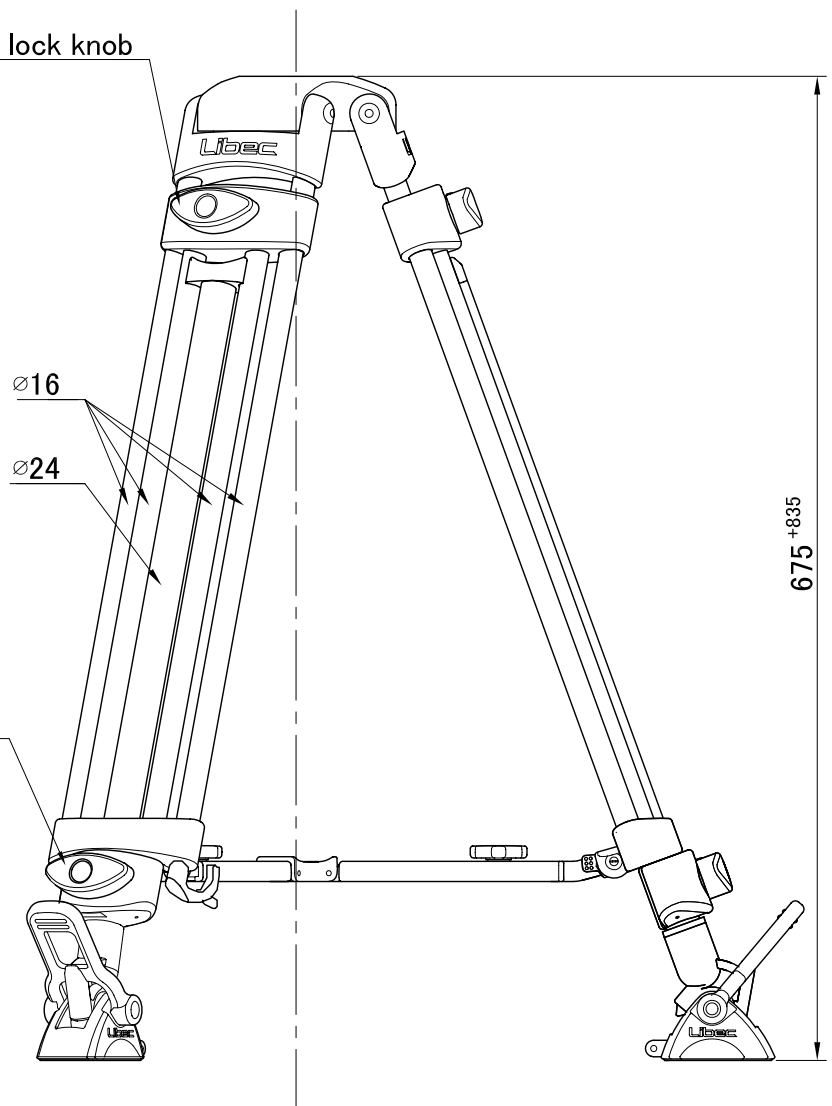


■ FP-2B



Lower lock knob

Upper lock knob



※: Reference

