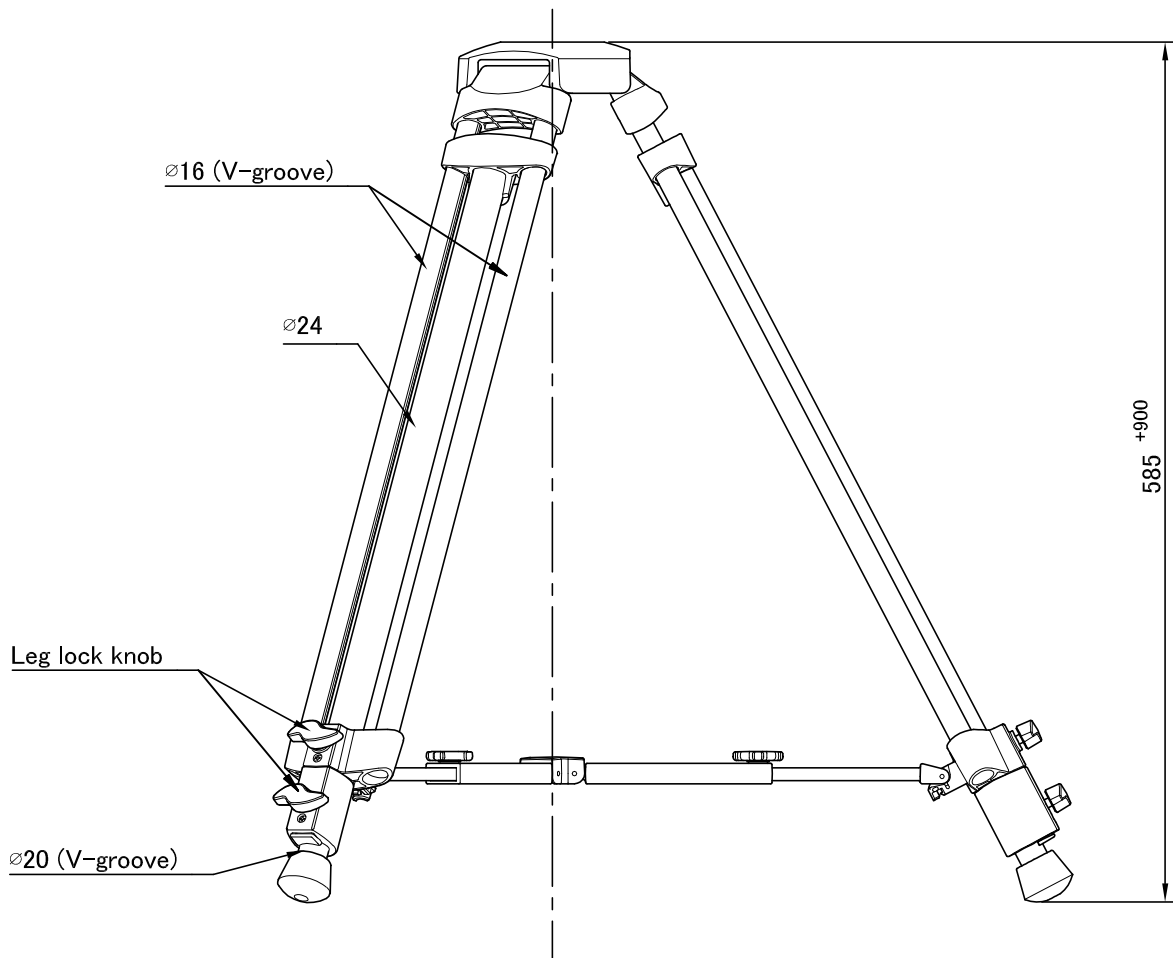


System	TH-Z T (Tripod)		
Payload	25 kg / 55 lb	Ball diameter	∅75 mm
Weight	2.4 kg / 5.3 lb	Section	2 STAGE (Material: Aluminum)
Height	① H : 1485 mm W : 835 mm (※Reference)	Tripod fixation	Fixing lock knob
	② H : 585 mm W : 620 mm (")	Spreader	Mid-level spreader (Telescopic) *Unremovable
Folded length	③ L : 655 mm (")	Material	Aluminum pipe , Aluminum alloy, Engineering plastic

Remarks

■ Exterior Dimensions (mm)



※: Reference

