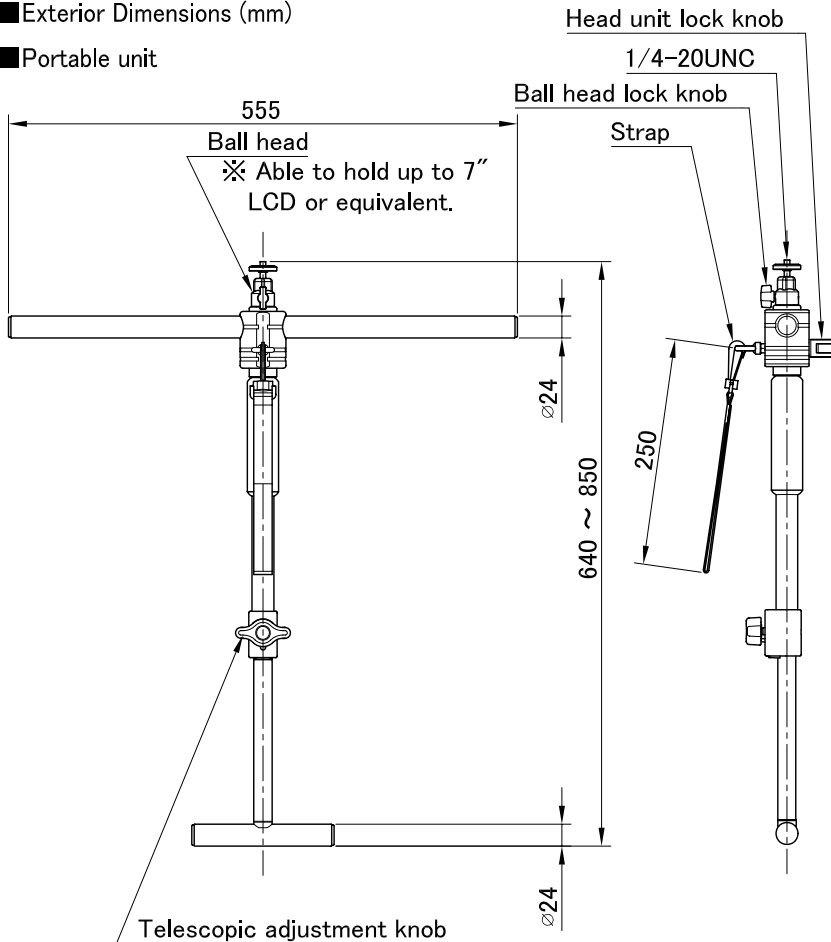


Weight	Portable unit : 0.9 kg / 2.0 lb
	Tripod base unit : 0.8 kg / 1.8 lb
	HANDLE50 : 0.3 kg / 0.7 lb
Application	Remote operation unit for REMO30
Clamping Width	HANDLE50 : $\phi 15$ mm ~ $\phi 30$ mm / 0.6" ~ 1.18"
Attachment	Tripod base unit : both $\phi 75$ mm and $\phi 100$ mm

Remarks

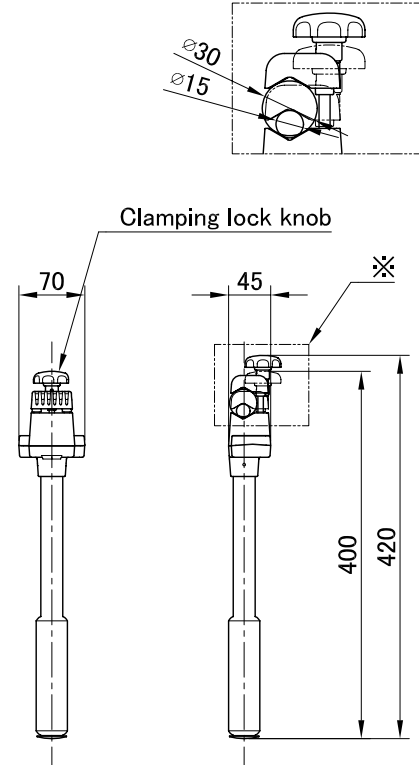
Exterior Dimensions (mm)

Portable unit

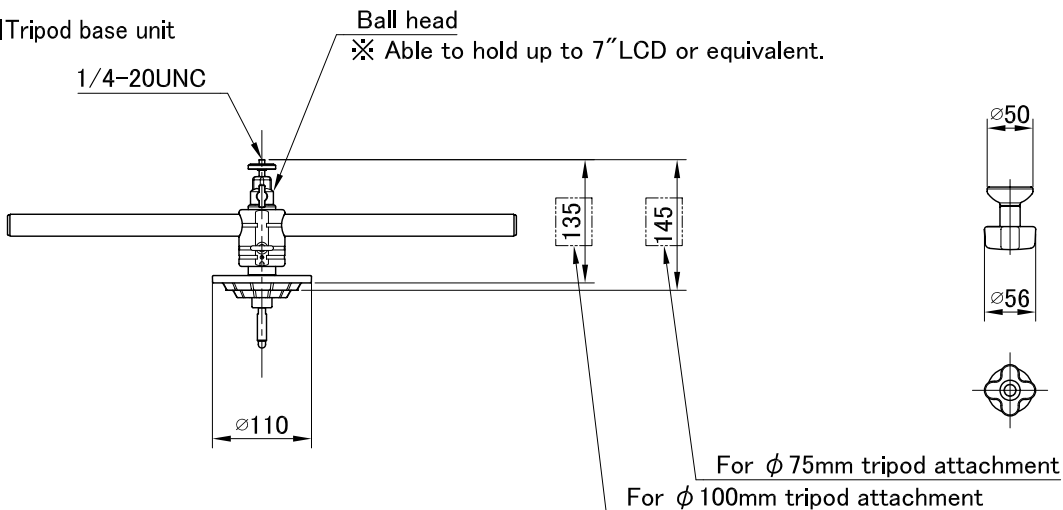


HANDLE50

※ Clamping width detail



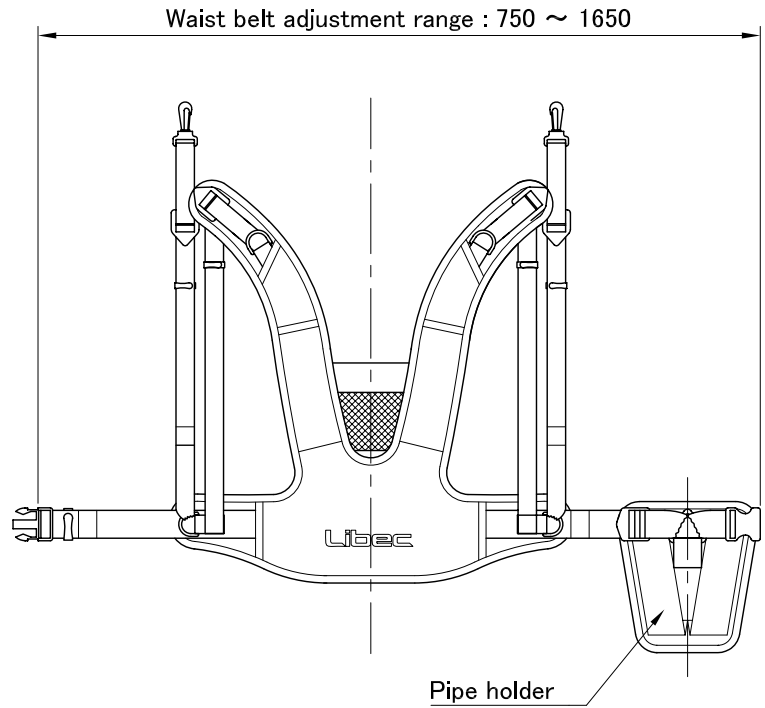
Tripod base unit



Weight	0.4 kg / 0.9 lb
Belt adjustment range	Waist belt : 750 mm ~ 1650 mm / Shoulder belt : 480 mm ~ 780 mm / Hook belt : 210 mm ~ 610 mm
---	---

Remarks

■ Exterior Dimensions (mm)



Shoulder belt adjustment range : 480 ~ 780

