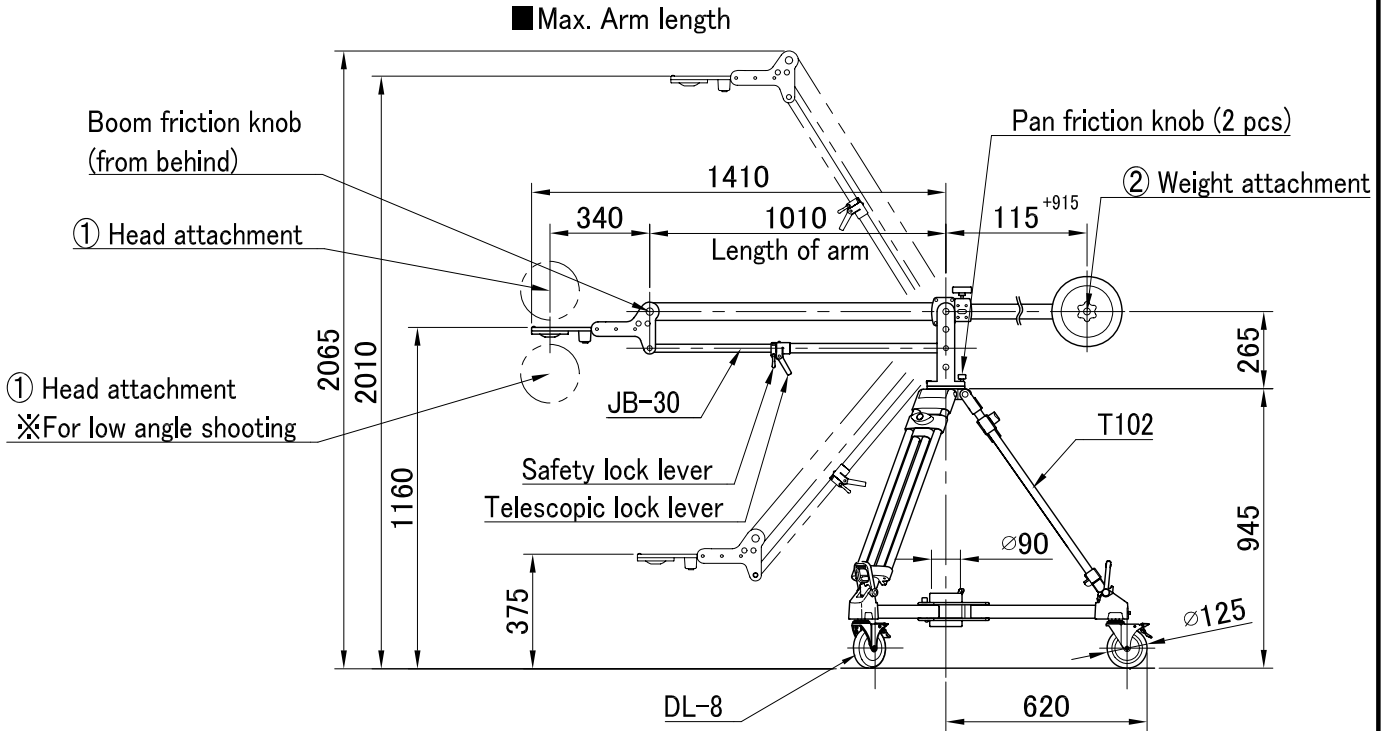
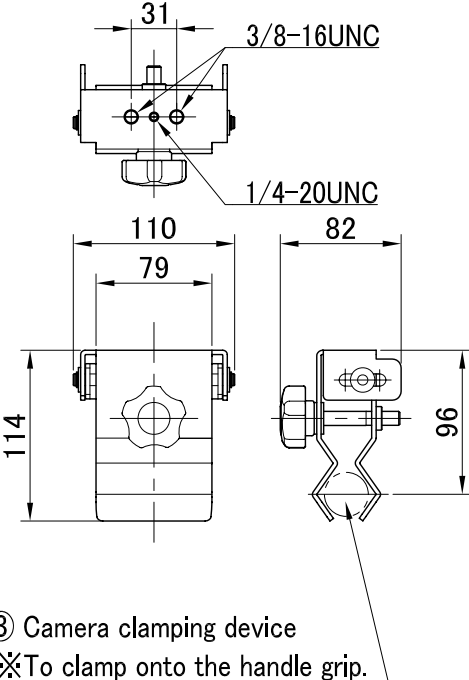


System	JB-30(Jib arm) + T102(Tripod) + DL-8(Dolly) + UM-3(Under mount)		
Payload	① 20kg (Arm at min. length the limit is 30kg)	Ball diameter	Head attachment : $\Phi 100\text{mm}$, $\Phi 75\text{mm}$ (adaptor)
	② 20kg	Boom friction	Tripod attachment : $\Phi 100\text{mm}$
	③ 10kg	Pan friction	Continuous adjustable
Weight	23kg (Excluding weight kit)	Pan friction	Continuous adjustable
Weight kit	20kg (5kg x2 / 2.5kg x4 : with case)	Case material	Nylon

■ Exterior Dimensions (mm)



■ UM-3



■ Min. Arm length

