

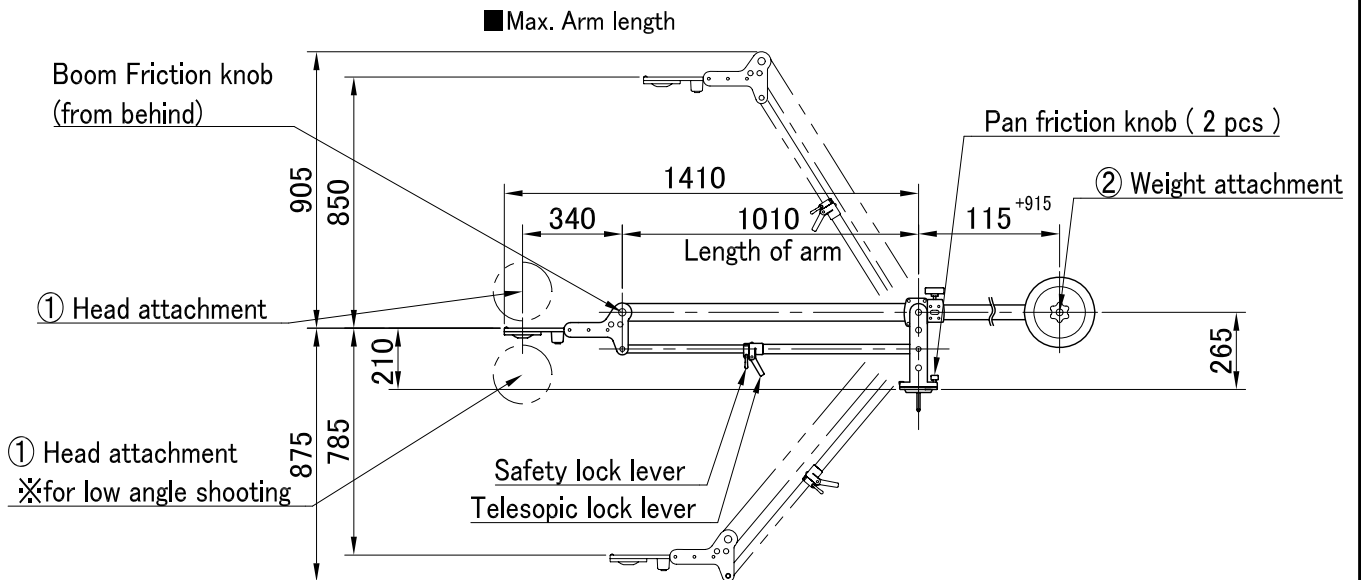
System	JB-30 (Jib Arm) + UM-3(Under mount)		
Max.Payload	① 20 kg (Arm at min. length the limit is 30kg)	Boom Friction	Continuous adjustable
	② 20 kg / 44 lb (※Note)	Pan Friction	Continuous adjustable
Weight	10 kg /22 lb (Excluding weight kit)	Case Material	Nylon
Weight rate	1 : 1	Accessories	Weight threaded shaft (1 pc)
Weight kit	15kg (5kg x 2 /2.5kg x 2 : with case)		Collar nut (2 pcs)
	Max. limit mounting weight is 20 kg (※Note)		Φ75mm Adaptor (1 pc)
Ball diameter	Head attachment : Φ100 mm, Φ75 mm (Adaptor)		Carrying case (1 pc)
	Tripod attachment : Φ100 mm		Weight adjustment (1 kg x 1 pc)
Storage dimension	Length : 1190.5 mm / 46.87 inch		Hex key wrench (1 pc)
	Height : 365 mm / 14.37 inch)	Instruction manual (1 pc)	
	Breadth : 156 mm / 6.14 inch)		

Remarks

※Note : To consider the Tripod max. payload, before mounting it.

(Total weight of JB30, weight plate, Head, payload••etc)

■ Exterior Dimensions (mm)



■ Min. Arm length

