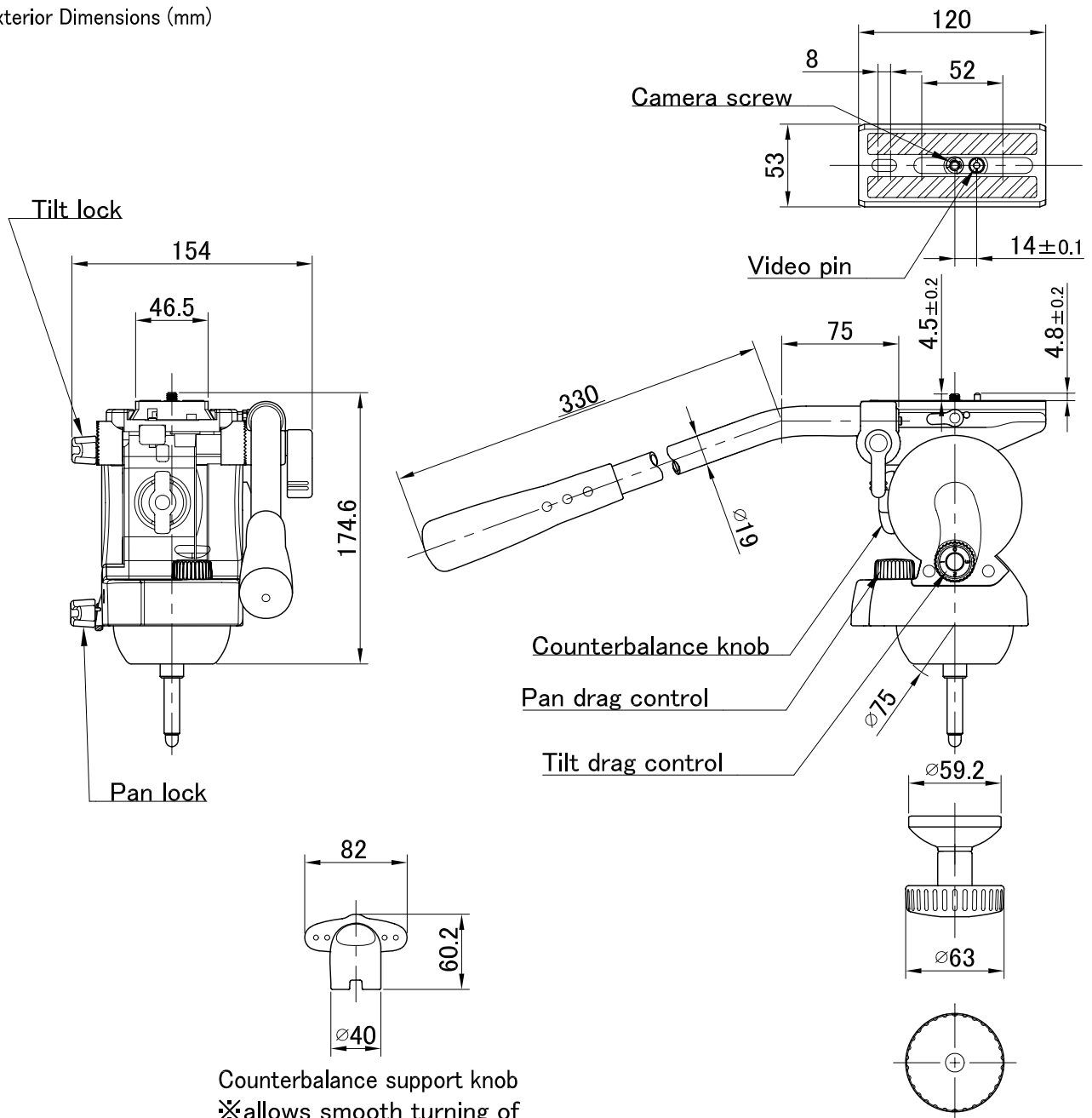


System	RH45 (Head)		
Payload	12 kg / 26.5 lb	Tilt angle	+90° /-70° (Limited to ±40° with maximum counterbalance)
Weight	2.6 kg / 5.7 lb	Pan angle	360°
Camera plate (Sliding range)	Sliding plate ±40 mm / ±1.6"	Counterbalance	Range : 4.5-10.5 kg / 10-23.1lb (CG100 mm) System: Continuous
Plate attachment (Screw sliding range)	Type : 1/4-20UNC screw with video pin 52 mm	Drag mode	Free plus 3 STEP —
Spare screw	1/4-20UNC , 3/8-16UNC screws	Ball diameter	φ 75 mm
	Equipped on the top of the head (beneath sliding plate)	Pan handle	PH-4B

Remarks

※Counter - balance support knob is included in RH45

■Exterior Dimensions (mm)



Counterbalance support knob
 ※allows smooth turning of
 the Counterbalance knob.