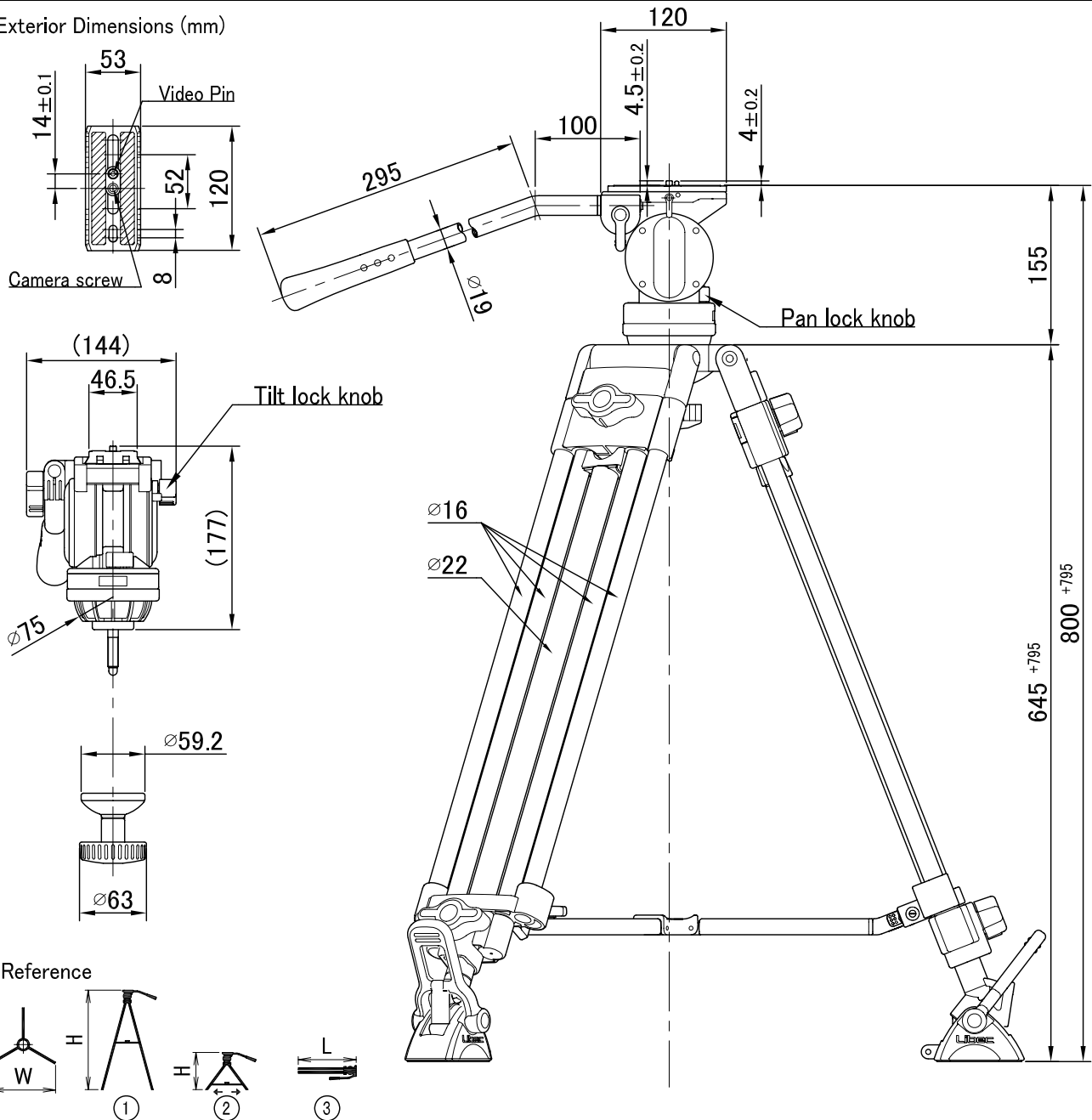


System	H38(Head) + T72(Tripod) + BR-4(Mid-level spreader) + FP-2(Large rubber feet) + TC-70(Carrying case)		
Payload	8kg / 17.5lb	Tilt angle	+90° / -80°
Weight	5.4kg / 11.9lb	Pan angle	360°
Height	① H: 1595 mm W: 780 mm (※Reference)	Counterbalance	FIX
	② H: 800 mm W: 550 mm (")		---
Folded length	③ L: 835 mm (")	Drag mode	FIX
Camera plate (Sliding range)	Sliding plate ±40 / ±1.6"	Ball diameter	φ 75 mm
Plate attachment (Screw sliding range)	Type: 1/4-20UNC screw with video pin	Tripod fixation	Fixing lock knob
	52mm	Spreader	BR-4 (Telescopic, Removable)
Spare screw	Type: 3/8-16UNC screw	Pan handle	PH-3
	Equipped on the top of the head (beneath sliding plate)	Case material	Nylon

Remarks

■ Exterior Dimensions (mm)



※Reference