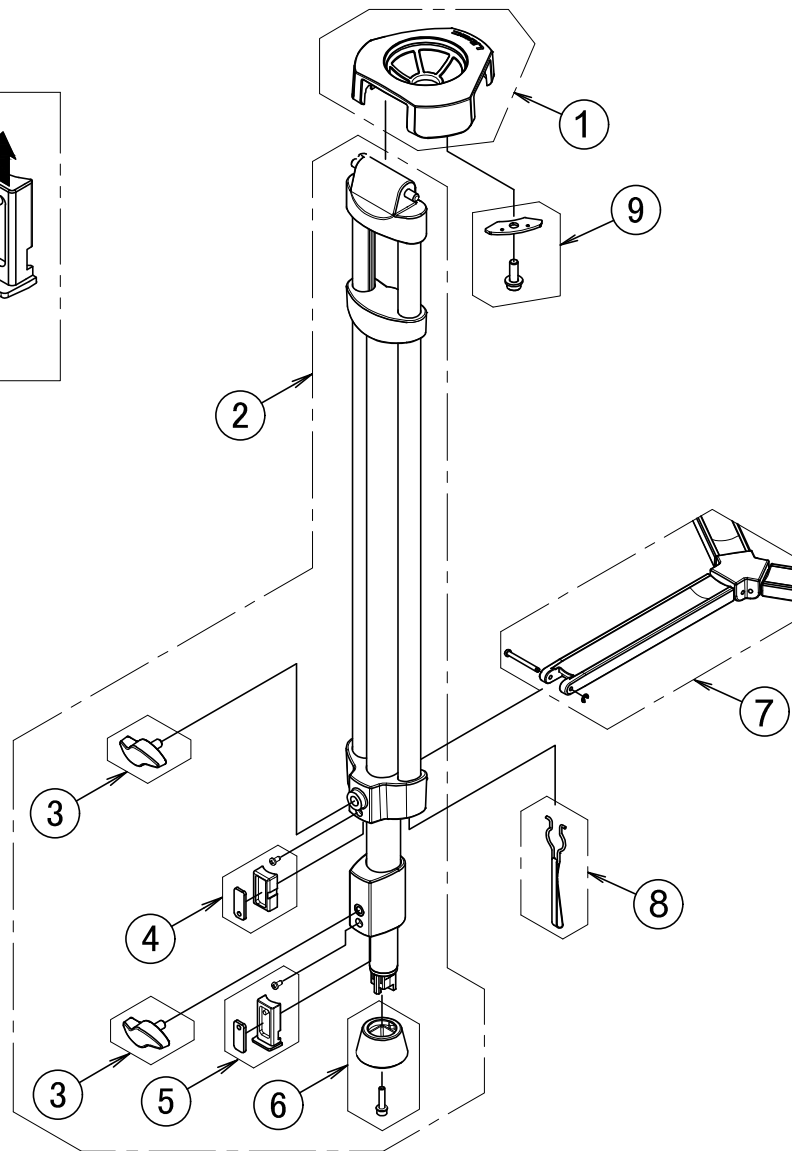
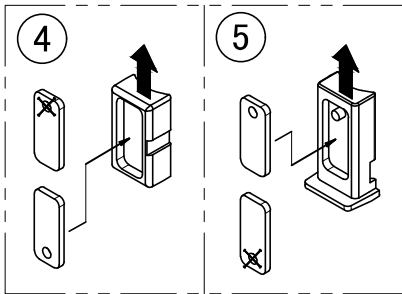


④,⑤ Assembly  
Mounting direction



No.	PART No.	DESCRIPTION	Q'TY USED	NOTE
1	THXT-1	Tripod bowl	1	
2	THXT-2	Leg assembly	3	
3	THXT-3	Leg lock knob	6	
4	THXT-4	Middle leg push-piece & plate	3	
5	THXT-5	Lower leg push-piece & plate	3	
6	THXT-6	Foot rubber	1	3 Pcs. set (with screws)
7	THXT-7	TH-X T Mid-level spreader	1	with pin and E-ring (3 Pcs.)
8	THXT-8	Transport lock	1	
9	THXT-9	Leg fixing plate	1	3 Pcs. set (with screws)