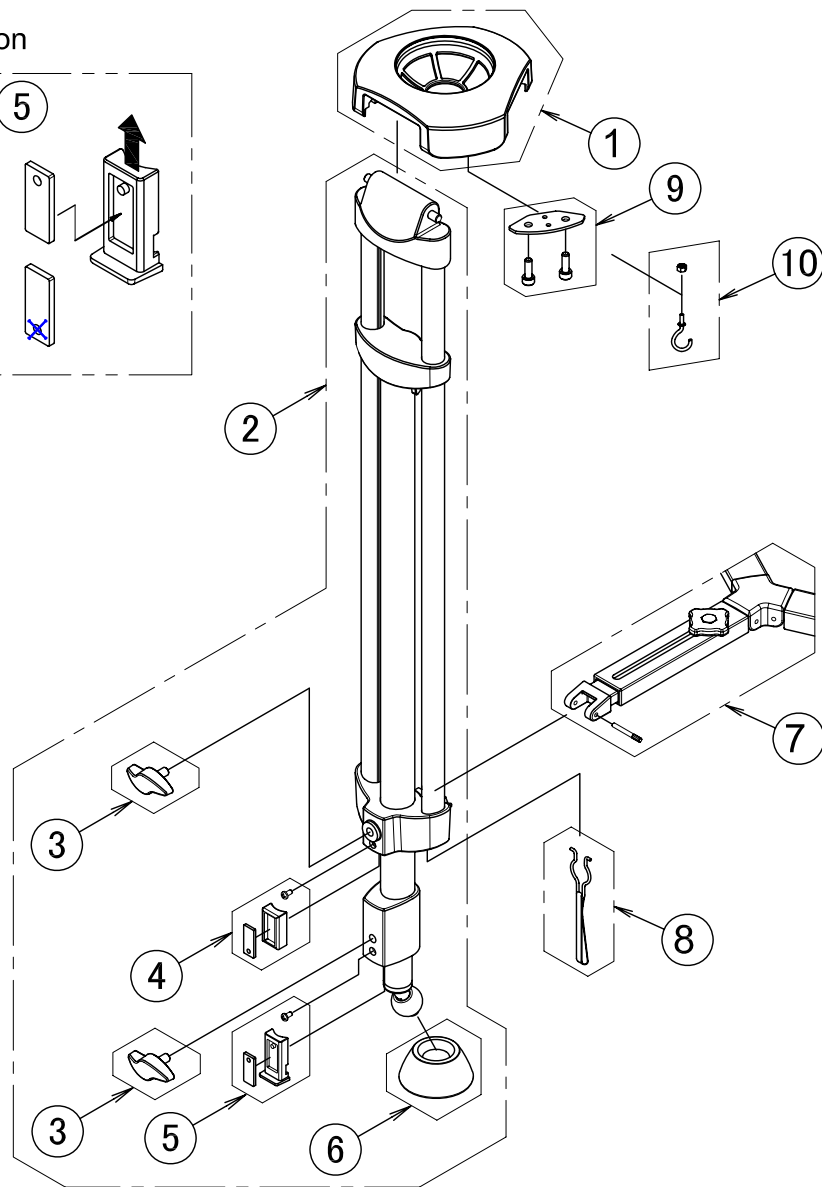
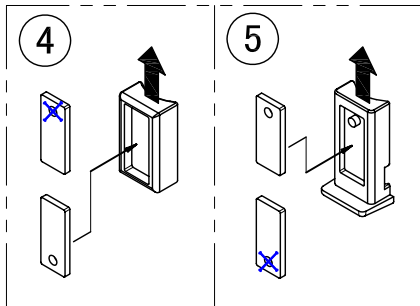


④,⑤ Assembly
Mounting direction



No.	PART No.	DESCRIPTION	Q'TY USED	NOTE
1	ALXT-1	Tripod bowl	1	
2	ALXT-2	Leg assembly	3	
3	ALXT-3	Leg lock knob	6	
4	ALXT-4	Middle leg push-piece & plate	3	
5	ALXT-5	Lower leg push-piece & plate	3	
6	ALXT-6	Rubber foot pad	1	3 Pcs. set
7	ALXT-7	ALX T Mid-level spreader	1	
8	ALXT-8	Transport lock	1	
9	ALXT-9	Leg fixing plate	1	3 Pcs. set (with screws)
10	ALXT-10	Hook	1	with nut