

**⚠ WARNING**

Before operating this equipment, please read this manual carefully and retain this for future reference.

This equipment may cause harmful, if not installed and used in accordance with this manual.

- Please read carefully this manual before using.
- Please keep this manual for safety reason.

**Attention to users**

⚠ CAUTION This equipment may cause harm, if not installed and used in accordance with following instructions.

- Keep the maximum load capacity.  
Keep the maximum load capacity. Excess load capacity may cause damage to equipments and unexpected incident.
- Tighten firmly the lock knob before usage.  
If not tighten firmly, it would cause damage to equipment and harmful to users.
- Make sure that tripod is firmly positioned when camera is mounting.  
This equipment would cause harmful or damage to camera, if the tripod is not properly installed or used in accordance with this manual.
- Do not dismantle or remold which cause breakdown of this equipment or harmful to users.

**Caution for users**

- 1 Do not use the tripod without spreader.
- 2 Make sure that pan handle is adequately loosened before standing the tripod.
- 3 When use spikes, remove the rubber cap for usage. It may damage floor in such cases.
- 4 Make sure that leg folder is firmly tighten for transportation.

**Tripod Holding Hook**

- Pull down the hook from tripod section to hold in one for transportation.
- When necessary to use the tripod, simply set free the hook and automatically reversed to original

**Leg lock**

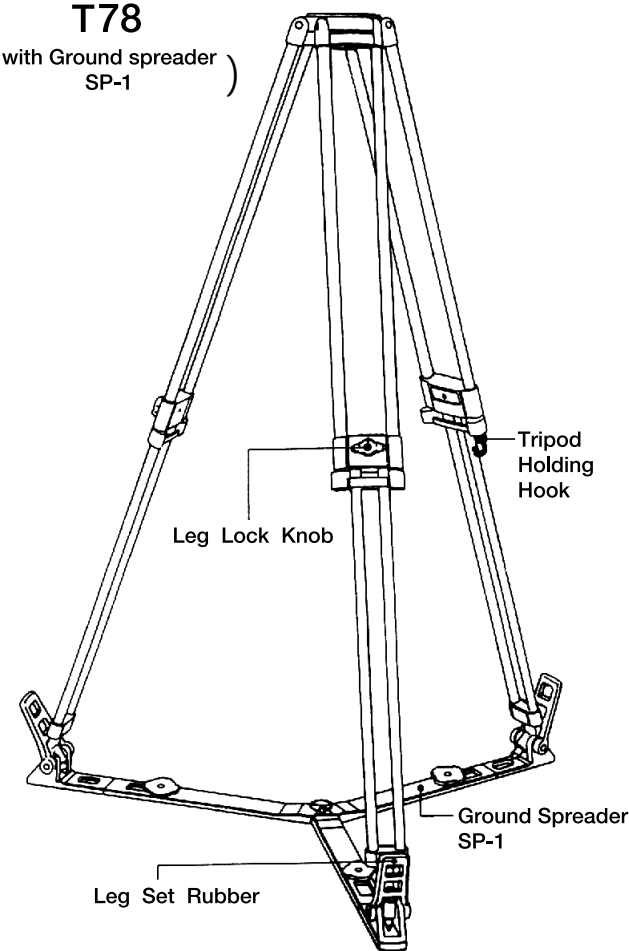
To lock the legs, turn the knob until the rib comes to the LOCK position.

**Foot Rubbers and Spikes**

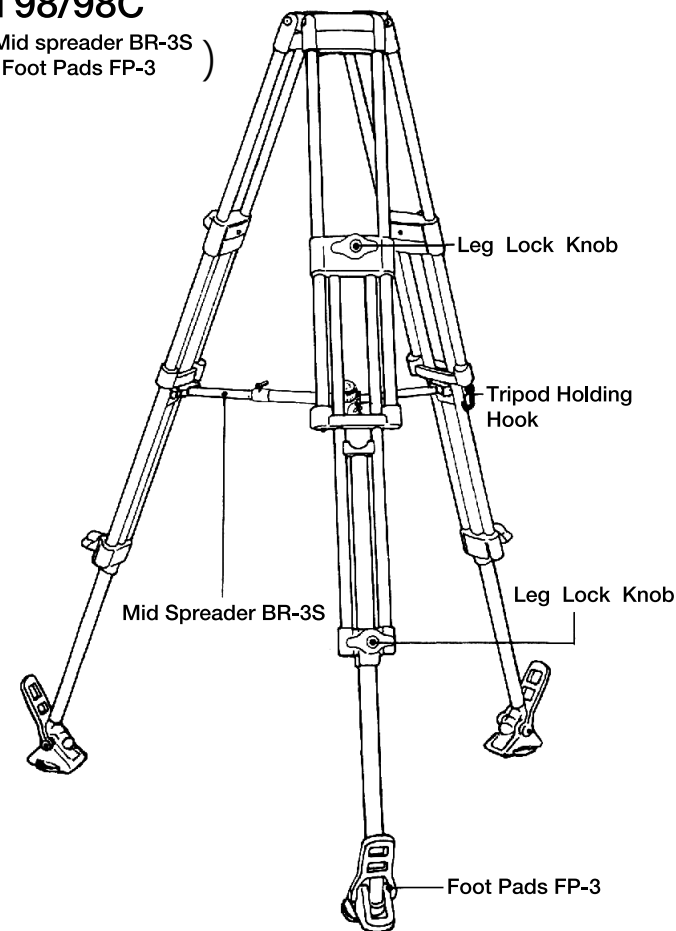
Spikes are attached for the purpose of protection not to damage the floor. However, in case at the outside, the spikes are easily detached by pulling out.

**Part name**

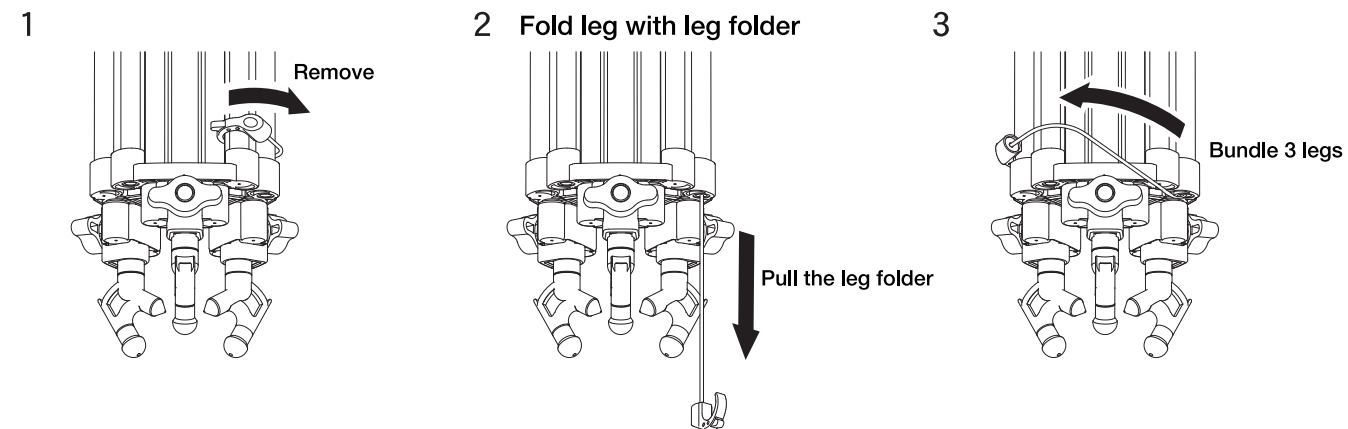
**T78**  
(with Ground spreader SP-1)



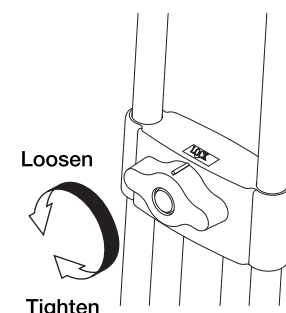
**T98/98C**  
(with Mid spreader BR-3S & Foot Pads FP-3)



**Tripod Holding Hook**



**Leg lock**



**Foot Rubbers and Spikes**

