

# Libec TRIPOD T103

## Operation manual

E0605-0

### ⚠ WARNING

Before operating this equipment, please read this manual carefully and retain this for future reference.  
Please read carefully and retain this instruction

This equipment may cause harmful, if not installed and used in accordance with this manual.

- Please read careful this manual before using.
- Please keep this manual for safety reason.

### Attention to users

**⚠ CAUTION** This equipment may cause harm, if not installed and used in accordance with following instructions.

- Keep the maximum load capacity. Keep the maximum load capacity. Excess load capacity may cause damage to equipments and unexpected incident.
- Tighten firmly the lock knob before usage. If not tighten firmly, it would cause damage to equipment and harmful to users.
- Make sure that tripod is firmly positioned when camera is mounting. This equipment would cause harmful or damage to camera, if the tripod is not properly installed or used in accordance with this manual.
- Do not dismantle or remold which cause breakdown of this equipment or harmful to users.

### Caution for users

- 1 Do not use without BR-5S/FP-3 or SP-5.
- 2 Make sure that pan handle is adequately loosened before standing the tripod.
- 3 When use spikes, remove the rubber cap for sage. It may damage floor in such cases.
- 4 Make sure that leg folder is firmly tighten for transportation.
- 5 The maximum load capacity is up to 90kg. Do not exceed the load capacity.
- 6 When the tripod is storage , keep the lock knob at half position.

### Set up the tripod

- 1 Remove the leg folder. It is automatically back to normal position if free the leg folder.
- 2 Fix the leg position as you like. It is recommended to adjust the position before standing the tripod.
  - ① Loosen the leg lock as leg is folding.
  - ② Adjust the leg position as same length and tighten the leg lock.(Firmly tighten at the marked position.)

**⚠ CAUTION** Do not over turn the lock knob which cause damage to the tripod.

- 3 Open the tripod. Before open the tripod completely,spreader BR-5S/FP-3 or SP-5 will be installed.

### Set the BR-5S

- 1 How to attach the BR-5S to tripod.
  - ① Insert the mid spreader joint into U ditch in the leg joint until click sounds.
  - ② After installed the mid spreader, please check carefully that mid spreader is firmly locked.
  - ③ Set the leg spike on the FP-3 foot pad part.
  - ④ Pull the rubber and place on to the spike.
  - ⑤ Same way for other 2 legs.

- 2 Open the tripod.
  - ① Make sure that BR-5S is flat and loose others.
  - ② Adjust the leg angle.
  - ③ Tune the BR-5S lock nut and firmly tighten.

### Set the SP-5

- 1 Loosen the lock knob on SP-5. There are 3 positions to be loosened the lock knob.
- 2 Set the leg
  - ① Set the leg spike on the SP-5 foot pad part.
  - ② Pull the rubber and place on to the spike.
  - ③ Same way for other 2 legs.
- 3 Open the tripod.
  - ① Based on the SP-5 scale, adjust the leg angle.
  - ② Firmly tighten the SP-5 lock for 3 position.

### Place the head

Ball leveler diameter is required 100mm. Please read the instruction for setting.

### Fold the leg

**⚠ CAUTION** Camera must removed before folding the leg. Pan handle must be loosened after leg folded.

- 1 Loosen the BR-5S or SP-5 all lock nuts.
  - ① Standing the leg without bending the BR-5S or SP-5.
  - ② Loosen the each of leg lock knob.
  - ③ Automatically leg is folding after leg lock free.

**⚠ CAUTION** It may cause finger pinching when it is folding.

- ④ Firmly tighten the leg lock knob.
- 3 Bundle the leg with leg folder.
  - ① Pull out the hook from leg folder.
  - ② Firmly fix the leg with leg folder.

### Remove and attach of the BR-5S/FP-3 or SP-5

When use the SP-5 as replacement for the BR-5S, follow the instruction.

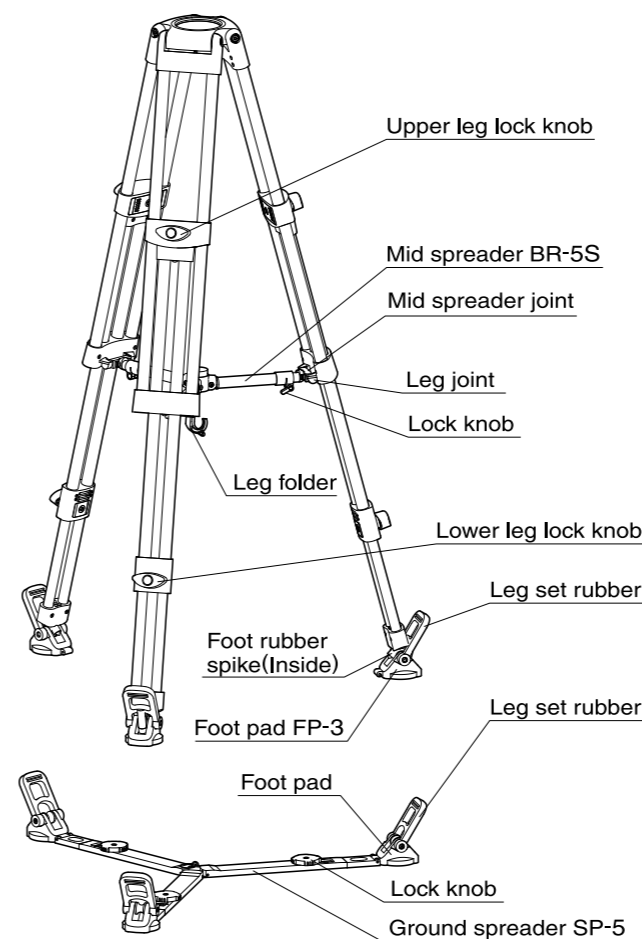
- ⚠ CAUTION** Camera must take out from head.
- 1 Hold the release knob at one time, then pull it out.
  - 2 Pull the FP-3 rubber and remove.
  - 3 When attach the BR-5S, put in the each side of knobs to the legs.

When use the BR-5S as replacement for the SP-5, follow the instruction.

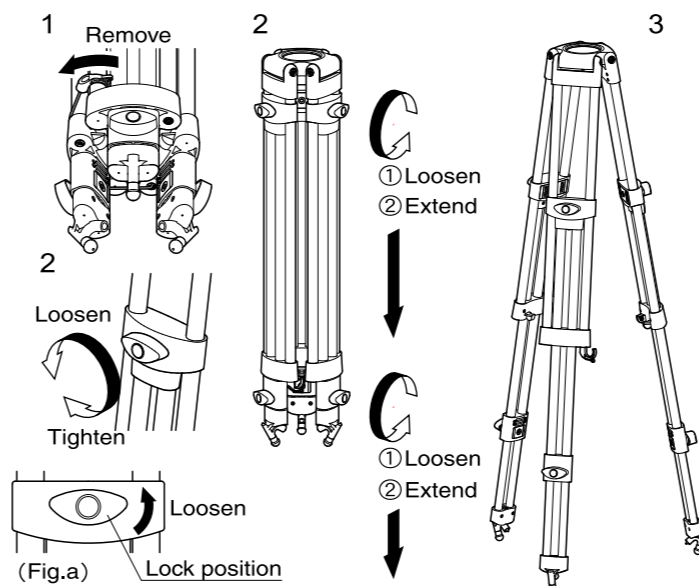
- ⚠ CAUTION** Camera must take out from head.
- 1 Pull the rubber and remove.
  - 2 Same way for other 2 legs.

Manufacturer : HEIWA SEIKI KOGYO CO., LTD.  
978-1 Nishibukuro, Yashio-City, Saitama, 340-0833 Japan  
http://www.libec.co.jp TEL : 048-995-1301 FAX : 048-997-0804

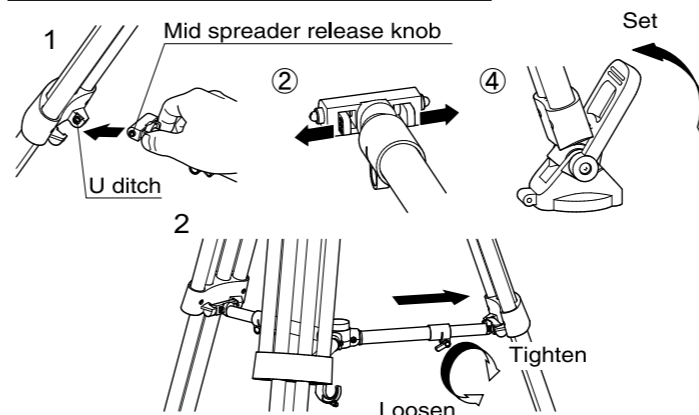
### Part name



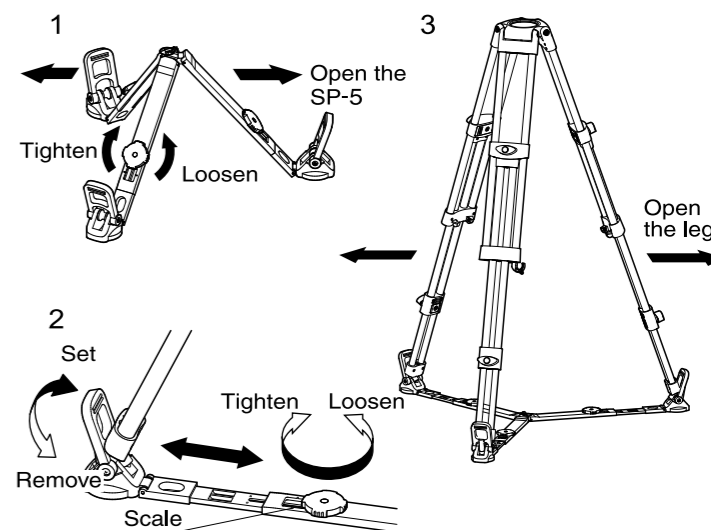
### Set up the tripod



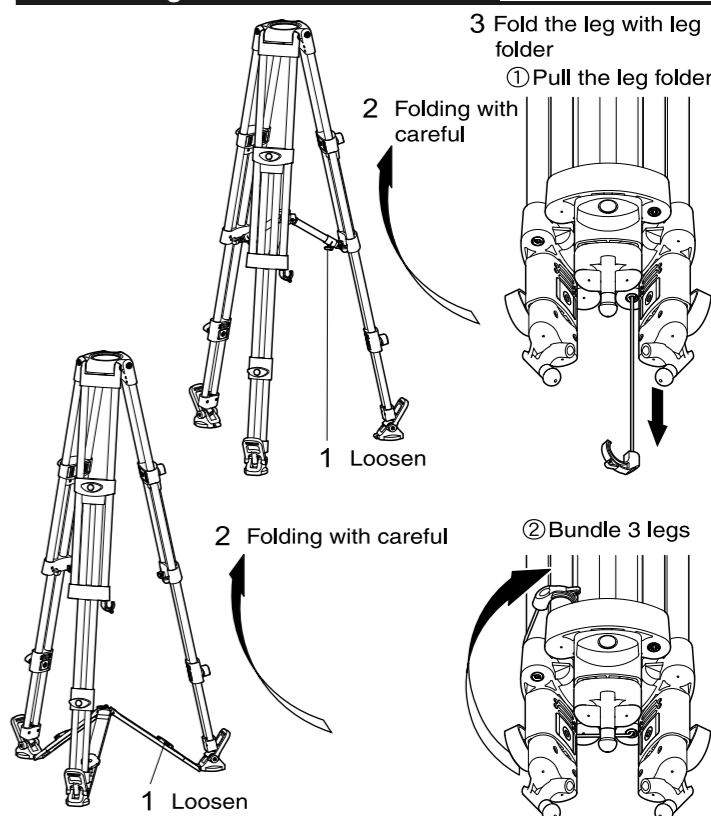
### Set the BR-5S



### Set the SP-5



### Fold the leg



### Remove and attach of the BR-5S/FP-3 or SP-5

