

### ⚠ WARNING

Before operating this equipment, please read this manual carefully and retain this for future reference. Please read carefully and retain this instruction

This equipment may cause harmful, if not installed and used in accordance with this manual.

● Please follow this instruction for your safety reason.

### Attention to users

⚠ CAUTION This equipment may cause harm, if not installed and used in accordance with following instructions.

■ Keep the maximum load capacity. Excess load capacity may cause damage to equipments and unexpected incident.

■ Firmly tighten the lock lever and screw. Without tightening lock and screw may cause damage to the camera or harmful to users.

■ Make sure that tripod is firmly positioned when camera is mounting. This equipment would cause harmful or damage to camera, if the tripod is not properly installed or used in accordance with this manual.

■ Do not dismantle or remold which cause breakdown of this equipment or harmful to users.

### Caution for users

1. Camera must be removed during transportation.
2. Holding only pan handle for carriage is causing damage to tripod.
3. When tilting or panning, it is important to loose the locking knob completely.
4. When the head is in no use, keep the counter balance free position.

### Attach to the tripod

1. Loosen the ball leveler fixing handle and remove it.
2. Mount the head on to the tripod and fix firmly.
3. Adjust the pan handle position.
  - ① Loosen the pan handle lock knob.
  - ② Adjust the position.
  - ③ Firmly tighten the pan handle lock knob.

### Mount the camera

- The maximum load capacity is up to 11-25kg. Do not exceed the load capacity.
- The slide plate moves 50mm back and forth from center for fine adjustment.

⚠ Attention Firmly tighten the tilt lock knob when the camera is mounting. Without tightening tilt lock may cause collapsing and damage to the camera. Do not add extra accessories after camera mounted which cause the tripod.

1. Remove the slide plate.
  - ① Loosen the plate lock lever.
  - ② Remove the slide plate to backward by pressing plate release button.
2. Mount the camera.
 

Set the camera screw to camera and firmly tighten.

  - ① Camera screw for spare is installed in the slide plate attached position.
  - ② Use screw for additional reinforcement.
3. How to mount the camera.
 

Make sure that plate lock lever is loosen.

Fix the camera to sliding plate first, then attach to the head as drawing by one snapping.

  - \* Must snap in without fixing plate lock lever.
  - \* No need to press the plate release button.

Determine the preferable position by sliding back and forth, then, fix the sliding plate firmly.

  - \* Sliding plate must be placed at 50mm back or forth from center.
4. Adjust the head leveling.
  - ① Loosen the ball leveler fixing handle.
  - ② Adjust the head for leveling.
  - ③ Firmly tighten the ball leveler fixing handle.

### Adjust the slide plate

Counter balance is available for this head which can be adjustable at favorable position.

1. Adjust by hands and loosen the plate lock lever.
2. Adjust the position by back and forth. Then firmly tighten.

⚠ Attention When adjust the counter balance with camera on, it is necessary to hold the pan handle to avoid the collapsing the tripod.

### Fixing pan, tilt and change the torque

Pan and tilt torque can be adjustable infinitely depending on shooting circumstances. Fix the pan or tilt lock knob firmly.

### Change the counter balance.

Adjust optimum counter balance by counter balance knob. ⚠ Attention When adjust the counter balance, you need to balance the camera at horizontal position.

Counter balance change knob is retractable for fine tuning. Right side turn is for more resistance and left side turn is for less.

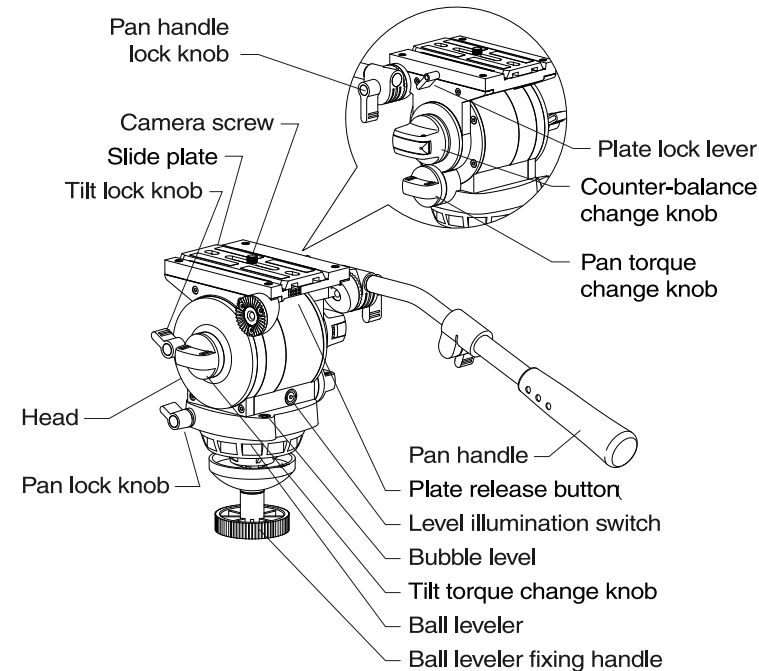
### Pan and Tilt

■ Panning  
Set free the pan lock knob and move left and right for movement. If need lock, firmly tighten the lock knob.

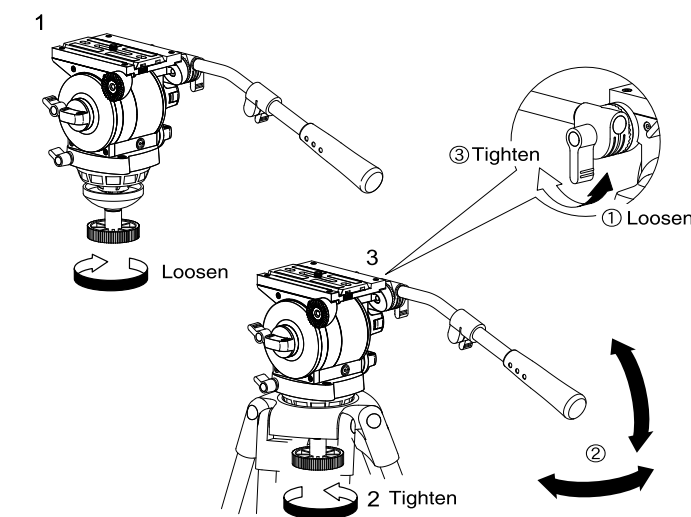
■ Tilting  
Set free the tilt lock knob and move up and down for movement. If need lock, firmly tighten the lock knob.

⚠ Attention Do not use the half locking status for balancing.

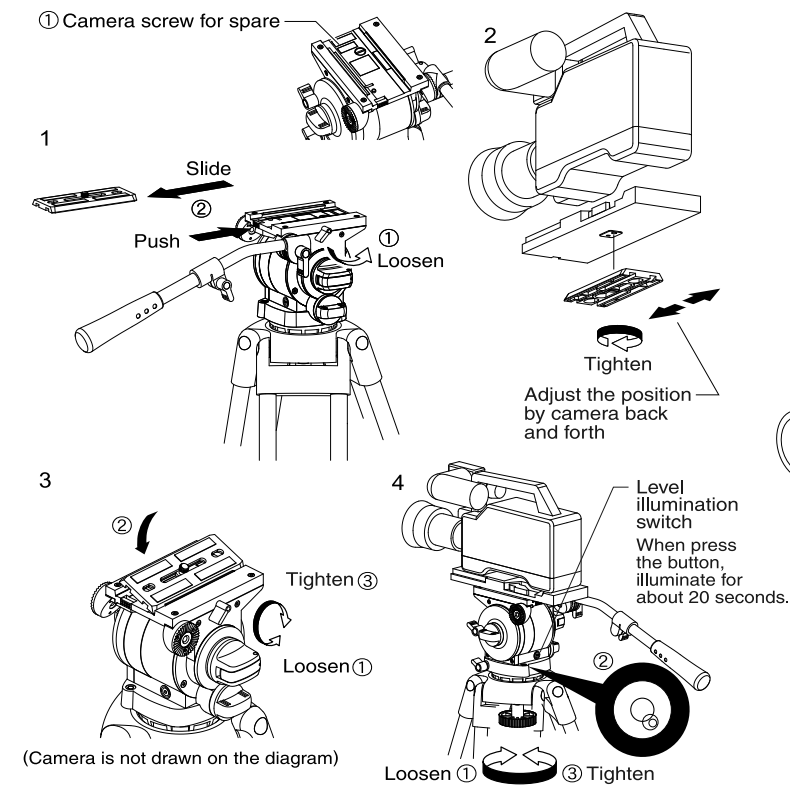
### Description of head



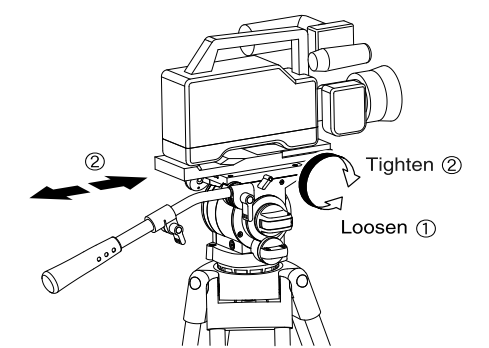
### Attach to the tripod



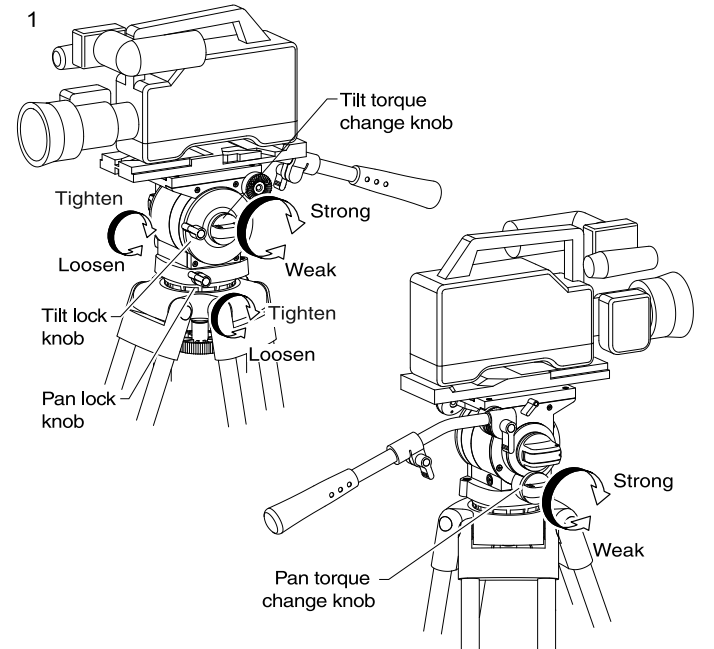
### Mount the camera



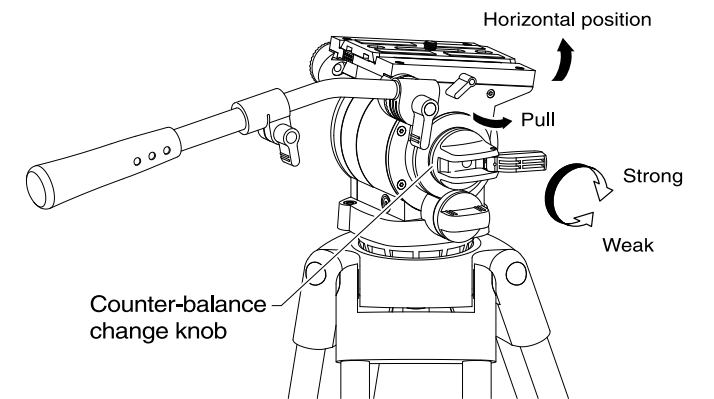
### Adjust the slide plate



### Fixing pan, tilt and change the torque



### Change the counter balance



### Pan and Tilt

