

This equipment may cause harmful, if not installed and used in accordance with this manual.

● Please follow this instruction for your safety reason.

Attention to users

CAUTION This equipment may cause harm, if not installed and used in accordance with following instructions.

- Keep the maximum load capacity. Excess load capacity may cause damage to equipments and unexpected incident.
- Firmly tighten the lock lever and screw. Without tightening lock and screw may cause damage to the camera or harmful to users.
- Make sure that tripod is firmly positioned when camera is mounting. This equipment would cause harmful or damage to camera, if the tripod is not properly installed or used in accordance with this manual.
- Do not dismantle or remold which cause breakdown of this equipment or harmful to users.

Main features

- 3-position counter balance
Unique for its class, the TH-950DV is fitted with an adjustable three positions of counter balance for front or back heavy cameras as well as standard cameras weighting up to 4kg.
- Quick release mounting plate
The removable camera mounting plate is fitted with a sliding screw for fine adjustment of counter balance. The camera mounting plate composition, made from extraordinarily strong magnesium alloy.
- 75mm ball head
Making leveling smooth and steady.
- New Tilt brake system
Disc caliper is used for tilt brake which will fix the head steady.

Caution for users

- Camera must be removed during transportation.
- Holding only pan handle for carriage is causing damage to tripod.
- When tilting or panning, it is important to loose the locking knob completely.

Set up the tripod

1. Set free the transport lock.
Pull up the strap from tripod section and set free the transport lock.
2. Set the tripod position as you like.
It is recommendable setting as follows.
 - ① Loosen the upper lock lever, as the tripod is holding.
 - ② Adjust the length of three each of tripod, tighten the upper lock knob again.
 - ③ If required further extension, set free the lower lock knob and do the same way.

※Spikes are attached which could be removed by pulling out.
3. Unfold the tripod and set the brace horizontal completely.
4. Adjust the pan handle position.
 - ① Loosen the pan handle lock knob.
 - ② Adjust the position.
 - ③ Firmly tighten the pan handle lock knob.

Mount the camera

- The maximum load capacity is 4kg. Do not exceed the load capacity.
- The quick shoe plate slides 33mm back and forth from center for fine adjustment.

Attention When remove or mount the camera, firmly tighten the tilt lock knob with counter balance knob position "ON". Do not add extra accessories after camera mounted which cause collapsing the tripod.

1. Make sure that tilt lock knob is tightened when counter balance switch is ON.
2. Remove the quick shoe plate.
 - ① Loosen the shoe plate lock lever.
 - ② Pull up the shoe plate.
3. Mount the camera.
Set the camera screw and video boss to camera and firmly tighten.
4. Set camera to tripod.
 - ① Fix the camera on to the quick shoe plate and set it back to the head which is automatically locked.
 - ② For safety reason, firmly tighten the shoe plate lock lever.
5. Adjust the head leveling.
 - ① Loosen the ball leveler fixing handle.
 - ② Adjust the head for leveling.
 - ③ Firmly tighten the ball leveler fixing handle.

Counter balance adjustment

- Optimum counter balance is available depending on 3 position counter balance switch.
- Attention** When adjust the counter balance with camera on, it is necessary to hold the pan handle to avoid the collapsing the tripod.

Leveling

- If required balancing the head, adjust the camera screw position back and forth and set the camera on to tripod.

Front and Rear heavy application

- If required further front heavy application such as wide lens, it is recommended following instruction.

1. Loosen the tilt lock knob and set the counter balance switch "OFF".
- Attention** When adjust the counter balance switch on, it is necessary to hold the pan handle to avoid the collapsing the tripod.
2. Hold the pan handle, and move the head upwards or downwards to the desire icon position, set the counter balance switch to "ON" position.
 3. Make sure that switch has been changed using pan handle up and down.

Usage of counter balance switch OFF

- If counter balance spring is strong enough, set the counter balance switch OFF.

Pan and Tilt

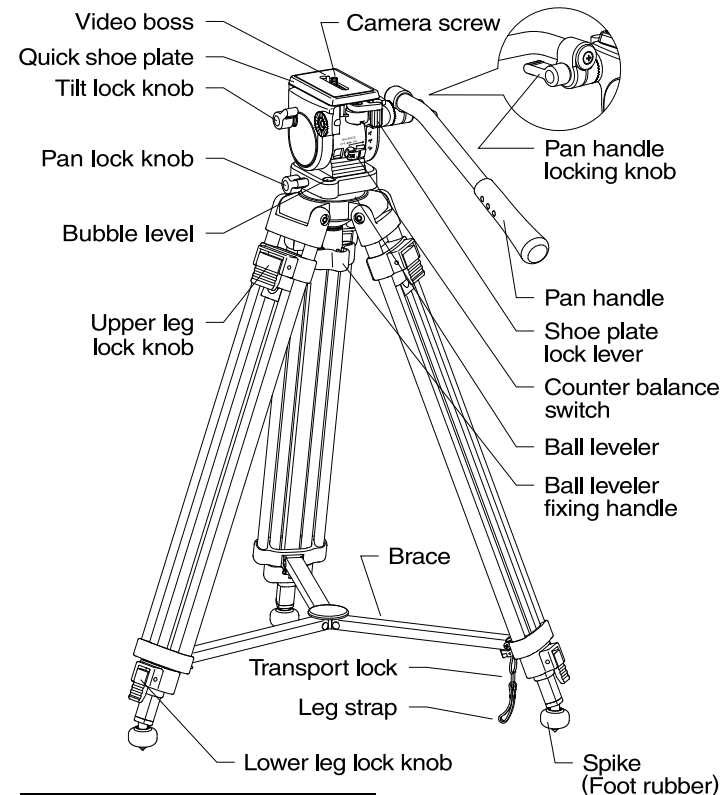
- Panning
Set free the pan lock knob and move left and right for movement. If need lock, firmly tighten the lock knob.
- Tilting
Set free the tilt lock knob and move up and down for movement. If need lock, firmly tighten the lock knob.

Attention Do not use the half locking status for balancing.

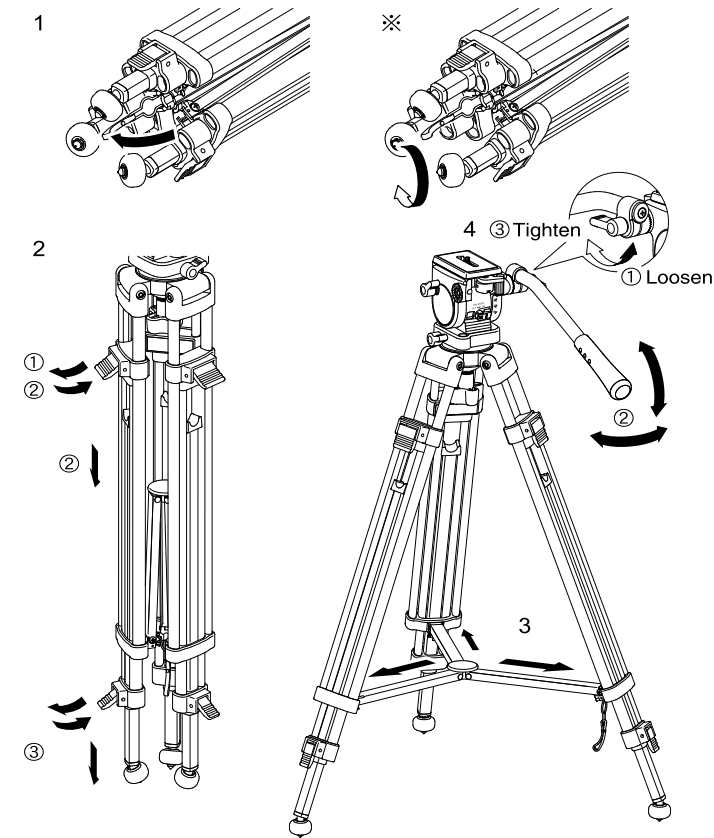
Folding the tripod

- Remove the camera and fold the tripod. Make sure that pan lock knob is completely free.
 - Firmly fix the transport lock when folding three legs.
- Warning** Camera must be removed during transportation.

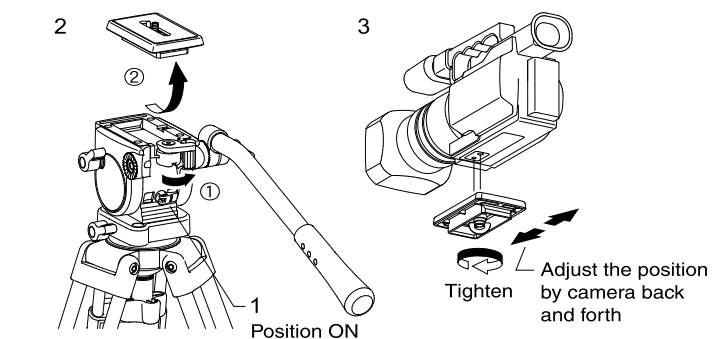
Description of head



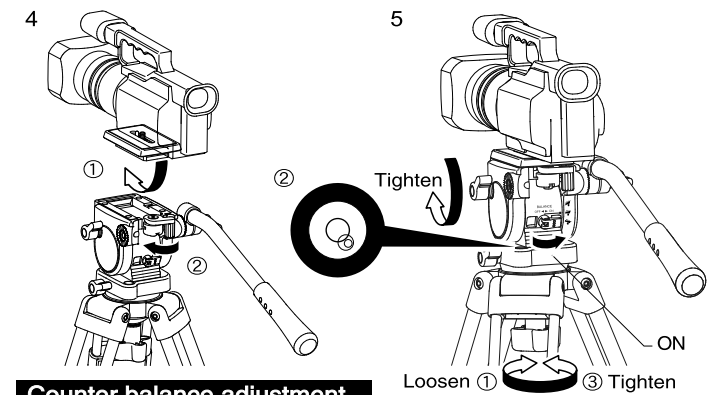
Set up the tripod



Mount the camera

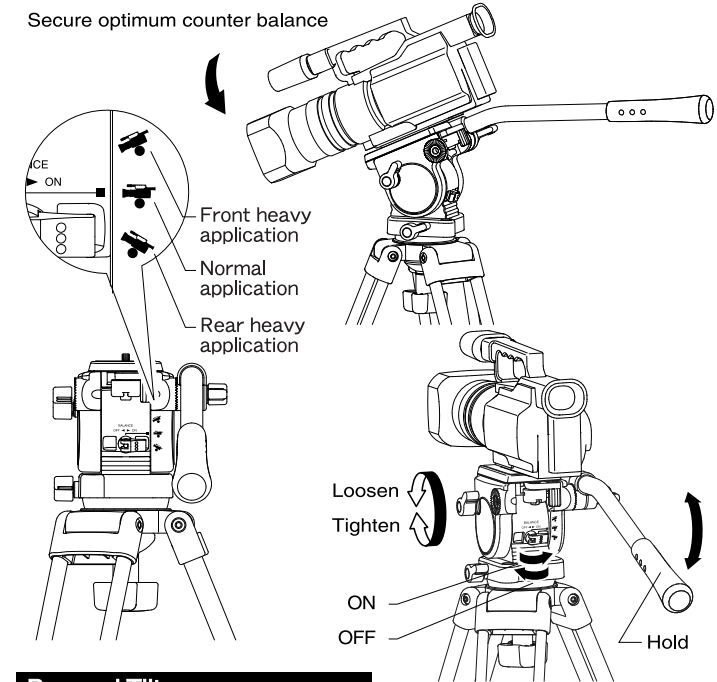


Mount the camera

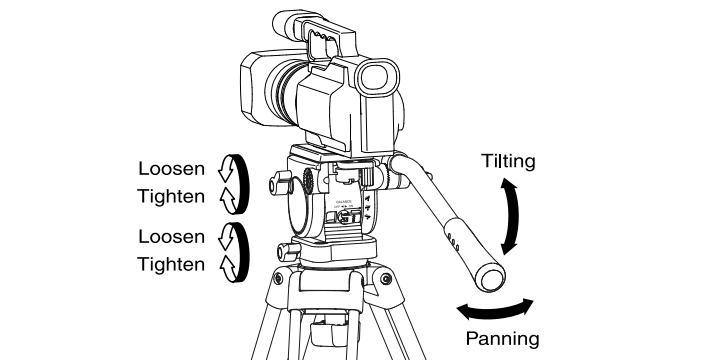


Counter balance adjustment

Secure optimum counter balance



Pan and Tilt



Folding the tripod

